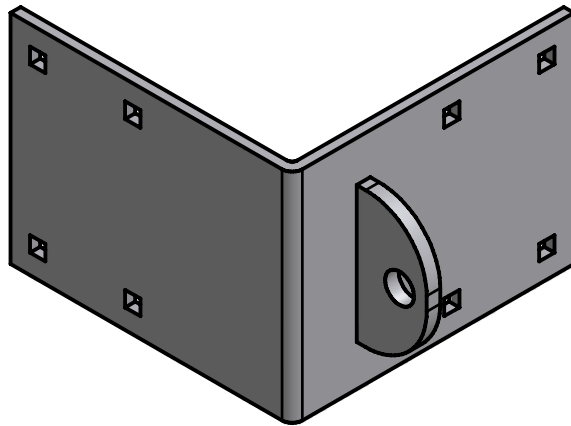


**DETAIL A**  
**SCALE 0.40 : 1**

| MATERIAL LIST (EST.) |       |
|----------------------|-------|
| MATERIAL             | LBS   |
| Steel, Mild          | 17.04 |
| Steel, Mild          | 1.4   |



VISIT US ON THE WEB AT [WWW.MERCOMARINE.COM](http://WWW.MERCOMARINE.COM)

ALL DRAWINGS AND DETAILS ARE PROPERTY OF MERCO INC. DO NOT COPY

MERCO MARINE  
60 MERCO ROAD  
WELLSBURG, WV 26070  
PHONE: (800)396-3726  
FAX: (304)737-3008



|        |                  |           |               |
|--------|------------------|-----------|---------------|
| TITLE: | HD-OCM.idw       | SCALE:    | 1/5           |
| DATE:  | Dec-29-09 2:24pm | DRAWN BY: | D.OTTO        |
|        |                  | APRVD BY: | J. MERIWETHER |