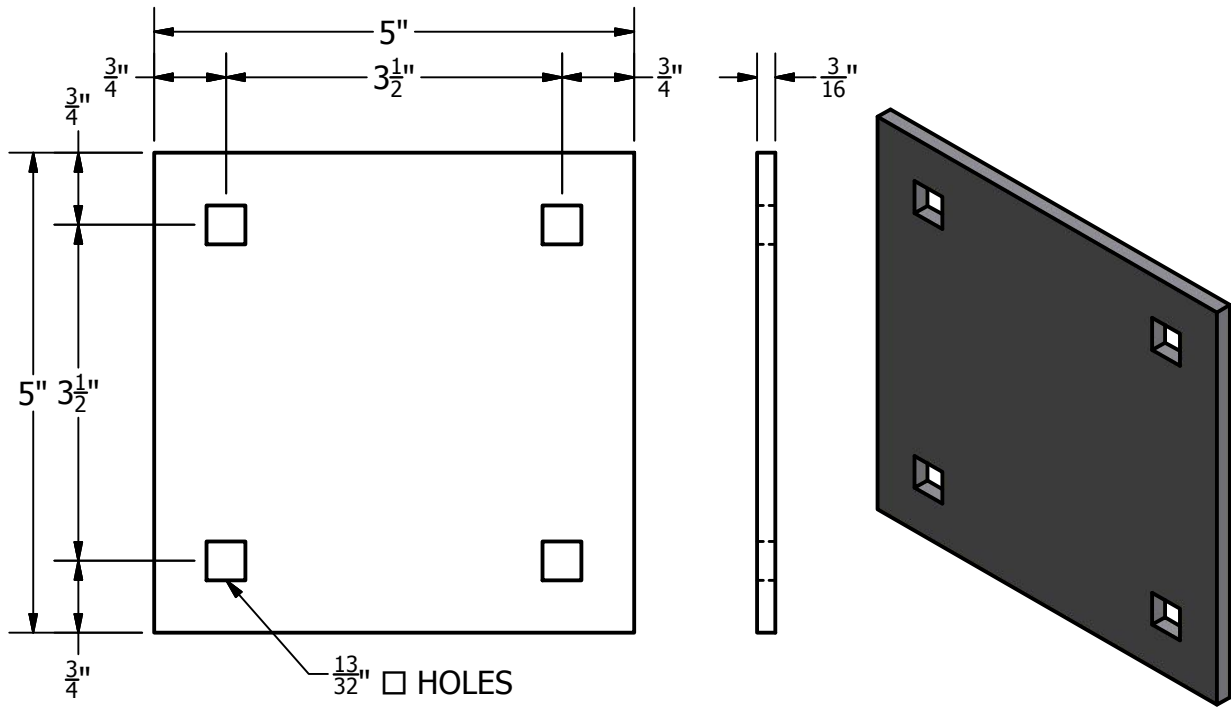


| MATERIAL LIST (EST.) | |
|----------------------|-----|
| MATERIAL | LBS |
| Steel, Mild | 1.3 |



VISIT US ON THE WEB AT WWW.MERCOMARINE.COM

ALL DRAWINGS AND DETAILS ARE PROPERTY OF MERCO INC. DO NOT COPY

MERCO MARINE
 60 MERCO ROAD
 WELLSBURG, WV 26070
 PHONE: (800)396-3726
 FAX: (304)737-3008



| | |
|--------|-------------------|
| TITLE: | HL-B.idw |
| DATE: | Sep-18-13 10:42am |

| | |
|-----------|---------------|
| SCALE: | 6" = 1'-0" |
| DRAWN BY: | D .OTTO |
| APRVD BY: | J. MERIWETHER |