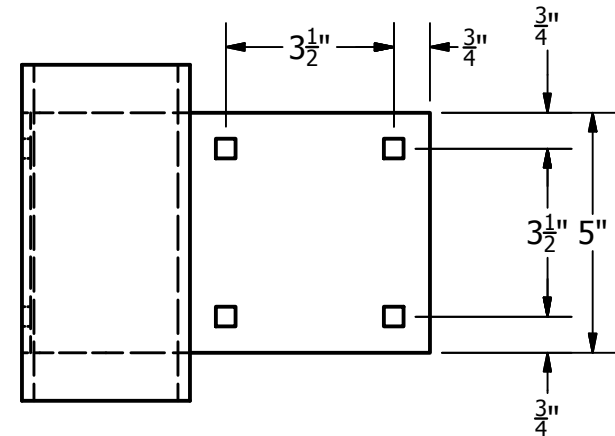
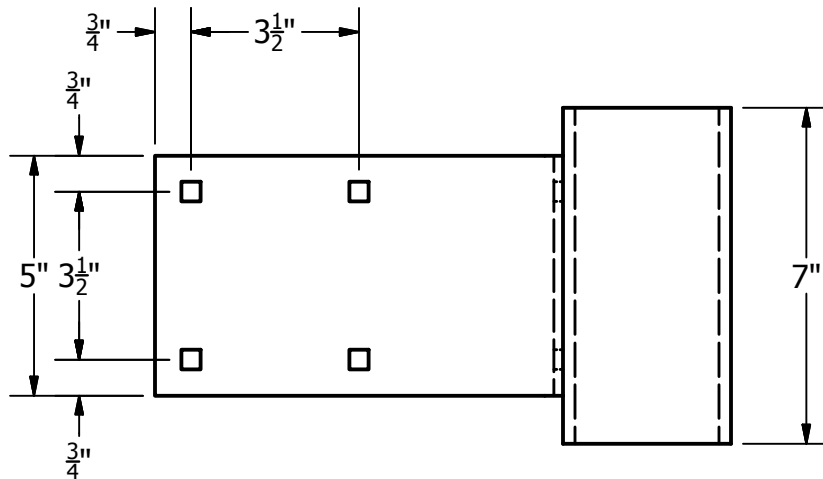
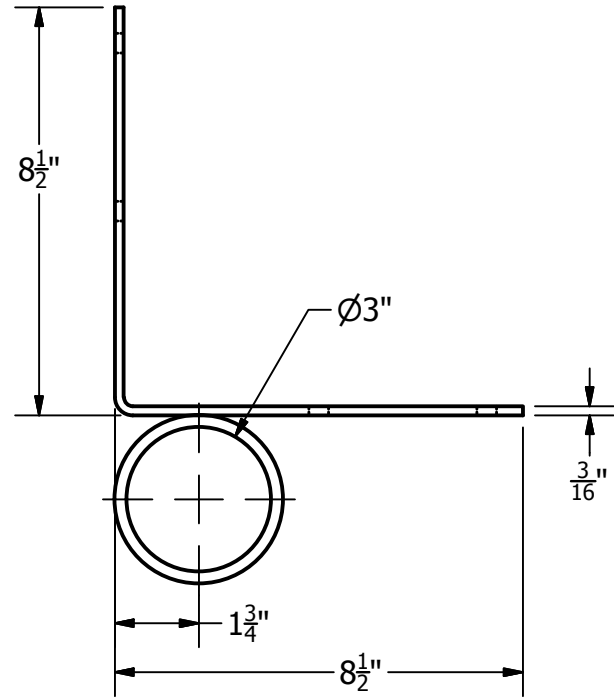


MATERIAL LIST (EST.)	
MATERIAL	LBS
Steel, Mild	9.45



VISIT US ON THE WEB AT [WWW.MERCOMARINE.COM](http://WWW.MERCOMARINE.COM)

ALL DRAWINGS AND DETAILS ARE PROPERTY OF MERCO INC. DO NOT COPY

MERCO MARINE  
 60 MERCO ROAD  
 WELLSBURG, WV 26070  
 PHONE: (800)396-3726  
 FAX: (304)737-3008



TITLE:	HL-OCEP3.idw
DATE:	Sep-18-13 10:49am

SCALE:	3" = 1'-0"
DRAWN BY:	D .OTTO
APRVD BY:	J. MERIWETHER