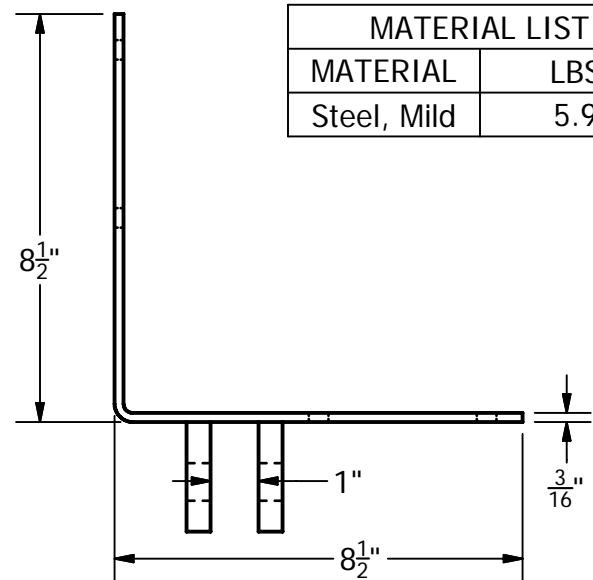
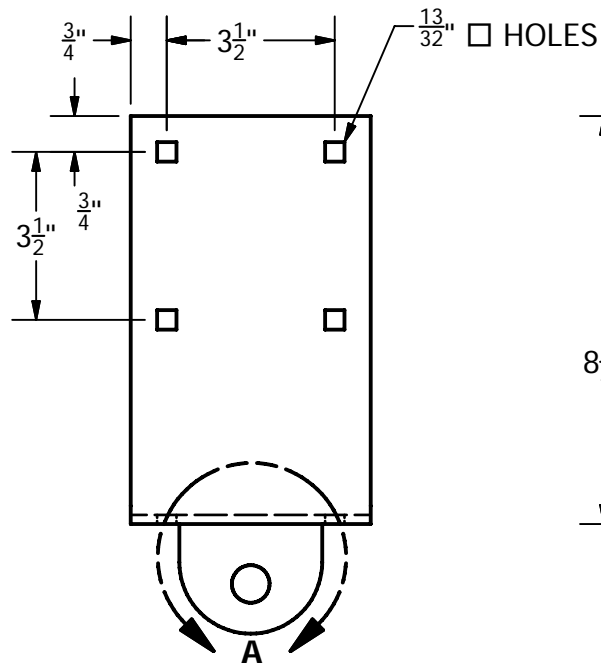
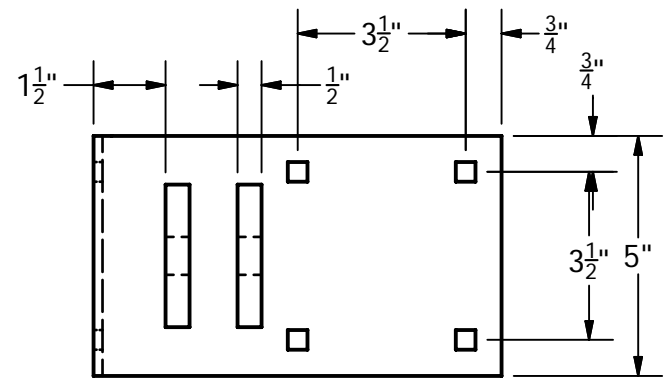
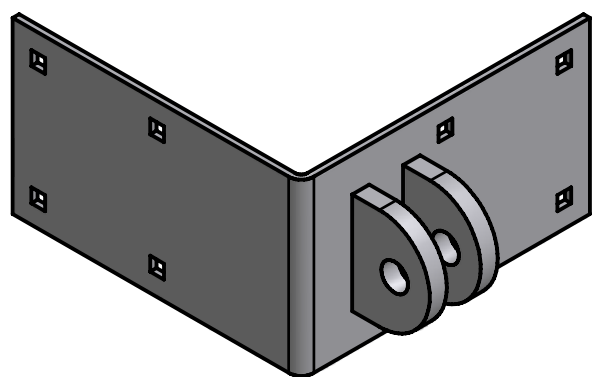


DETAIL A
SCALE 1 / 2



MATERIAL LIST	
MATERIAL	LBS
Steel, Mild	5.9



VISIT US ON THE WEB AT WWW.MERCOMARINE.COM

ALL DRAWINGS AND DETAILS ARE PROPERTY OF MERCO INC. DO NOT COPY

MERCO MARINE
60 MERCO ROAD
WELLSBURG, WV 26070
PHONE: (800)396-3726
FAX: (304)737-3008



TITLE:	HL-OCF.idw
DATE:	May-18-09 2:18pm

SCALE:	3" = 1'-0"
DRAWN BY:	D .OTTO
APRVD BY:	J. MERIWETHER