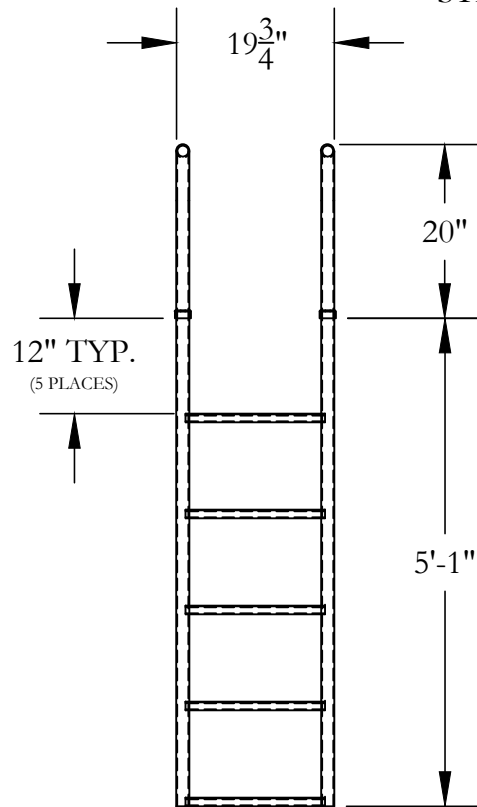
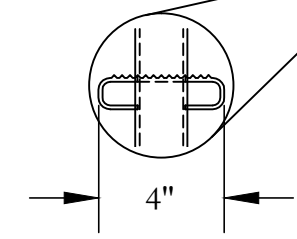
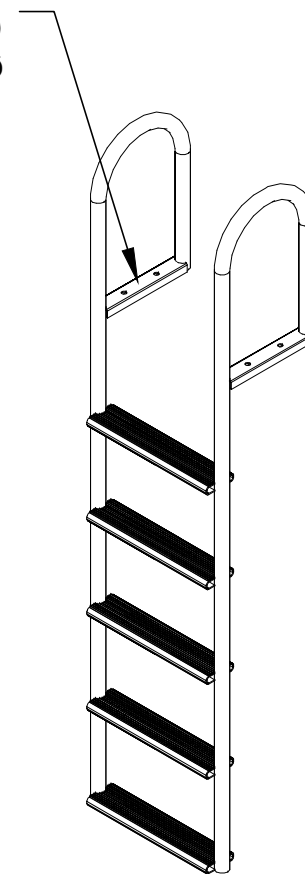
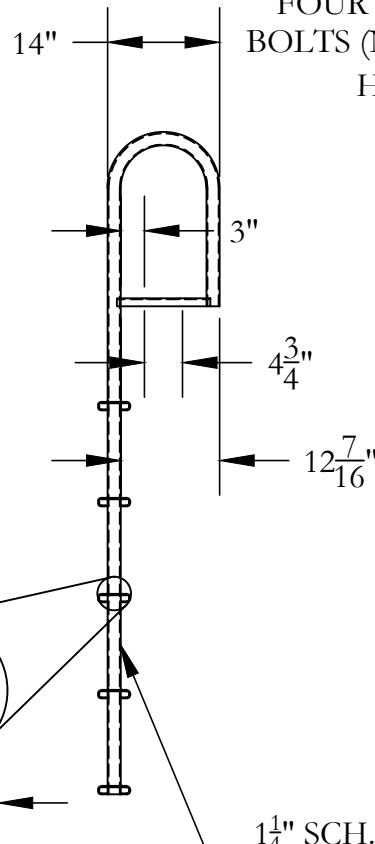


5 STEP ALUMINUM  
STRAIGHT LADDER  
WIDE STEP



BOLT IN PLACE USING  
FOUR 1/2" THROUGH  
BOLTS (NOT SUPPLIED)  
HOLES ARE 9/16" Ø



NON SKID STEPS  
4" WIDE  
EXTRUDED  
CHANNEL

1 1/4" SCH. 40  
ALUMINUM TUBING

VISIT US ON THE WEB AT [WWW.MERCOMARINE.COM](http://WWW.MERCOMARINE.COM)

ALL DRAWINGS AND DETAILS ARE PROPERTY OF MERCO MARINE DO NOT COPY

MERCO MARINE  
60 MERCO ROAD  
WELLSBURG, WV 26070  
PHONE: (800)396-3726  
FAX: (304)737-3008



TITLE: L-5PW		SCALE: 1/2" = 1'-0"
DRAWN BY: DAN OTTO		APRVD BY: J. MERIWETHER
PRINT DATE: 4/7/16 8:28 AM	CREATED DATE: 1/20/12	