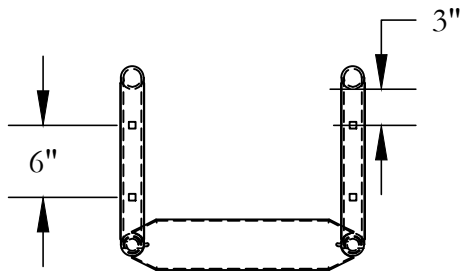
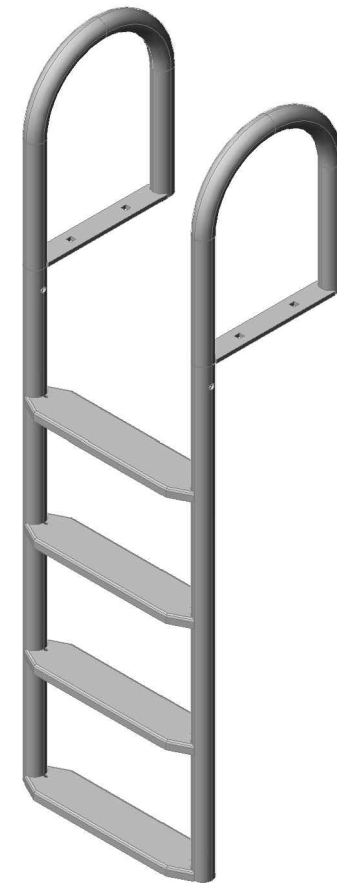
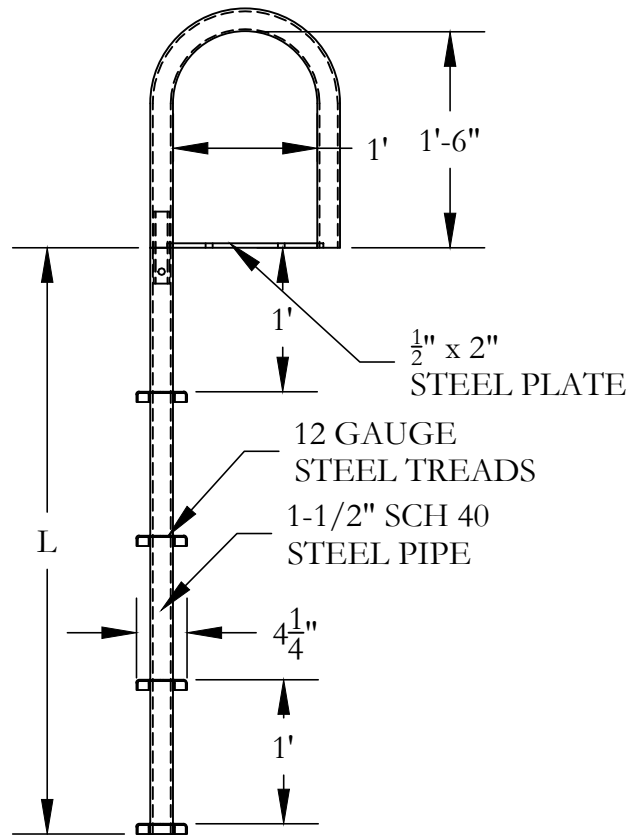
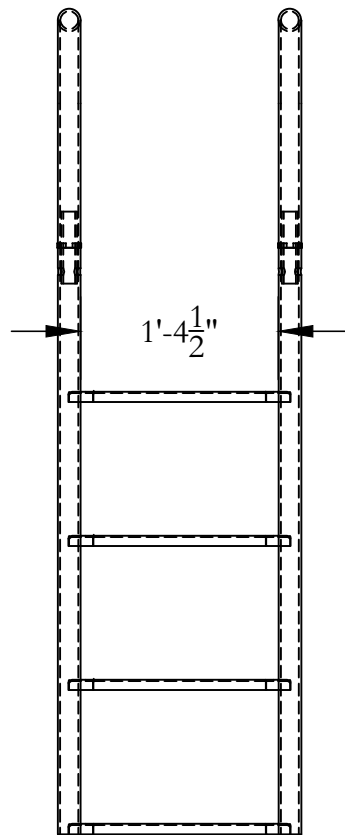


NOTE: ON LAYOUT DRAWINGS ALL MEASUREMENTS ARE TO THE FRAME MEMBERS. ACTUAL MEASUREMENTS MAY VARY BASED ON RUBRAIL, BUMBOARD, OR OTHER ACCESSORIES BEING USED. IF USING RUBRAIL ADD APPROX. 1½". IF USING BUMBOARD ADD 1½". THIS WILL AFFECT DISTANCE BETWEEN FINGERS BY -6". ON HINGE CONNECTIONS: ADD 3¼" BETWEEN SECTIONS FOR EVERY HINGE POINT. ALL OF THE ABOVE IS NOT CALCULATED IN ANY LAYOUT DRAWING. THIS DRAWING IS PROVIDED AS A COURTESY TO OUR CUSTOMERS. NON CUSTOMERS WILL BE CHARGED A SERVICE FEE OF \$75.00 AN HOUR. EFFECTIVE 5-20-2010



HOT DIPPED GALVANIZED AFTER FABRICATION

MODEL #	L
LM-4	4'-0 ⁷ / ₈ "
LM-5	5'-0 ⁷ / ₈ "
LM-6	6'-0 ⁷ / ₈ "
LM-7	7'-0 ⁷ / ₈ "



VISIT US ON THE WEB AT WWW.MERCOMARINE.COM

ALL DRAWINGS AND DETAILS ARE PROPERTY OF MERCO MARINE DO NOT COI

MERCO MARINE
60 MERCO ROAD
WELLSBURG, WV 26070
PHONE: (800)396-3726
FAX: (304)737-3008



TITLE: LM-4-7-1		SCALE: 3/4" = 1'-0"
PRINT DATE: 2/27/12 4:46 PM		DRAWN BY: DAN OTTO
CREATED DATE: 1/20/12	APRVD BY: J. MERIWETHER	